



## Interior Furnishings Specification Package

Langley Public Library

---

May 10, 2024

**Project Address**      Langley Public Library  
104 Second Street  
Langley, WA 98260

**Emily Gross**              Certified Interior Designer  
612.361.5054 | [emily@mrsdesign.com](mailto:emily@mrsdesign.com)

**Byoungjin Lee**            Architect, PM | Project Contact  
612.359.3241 | [Byoungjin@mrsdesign.com](mailto:Byoungjin@mrsdesign.com)

## Table of Contents

<b>Project Information</b>	<b>3</b>
<b>DRAFT AIA Document A751-2019: Invitation and Instructions to Vendors for Quotations for FFE</b>	<b>(8 pages)</b>
<b>Furniture Bid Form</b>	<b>Electronic File Provided</b>
<b>DRAFT AIA Document A151-2019: Standard Form of Agreement between Owner and Vendor for FFE</b>	<b>(17 pages)</b>
<b>EXHIBIT A: Section 12500 Furnishings</b>	<b>(2 pages)</b>
<b>General Provisions</b>	<b>(2 pages)</b>
Interior Furnishings Specification	
Group A: Andreu World	
Group B: Boss Design	
Group C: Watson	
Group D: Davis	
Group E: 9 to 5 Seating	
Group F: 3Branch	
Group G: Kimball	
Group H: Hightower	
Group I: OFS	
Group J: TMC	
Group K: Keilhauer	
Group L: Leland	
Group M: Miller Knoll	
Group N: Kingsley	
Group O: Mein Company	
Group P: Bernhardt	
Group Q: Sixinch	
Group R: ESI	

## Interior Furnishings Specification Package

Langley Public Library | May 10, 2024

### Project Information

#### Project Name and Location

Langley Public Library  
104 Second Street  
Langley, WA 98260

#### Client

Sno-Isle Library District  
7312 35th Ave. NE  
Marysville, WA 98271

Contact Name: Chy Ross | Assistant Director of Capital Strategy and Planning  
360.454.6908 | [cross@sno-isle.org](mailto:cross@sno-isle.org)

#### Architect & Interior Designer

MSR Design  
510 Marquette Ave S, Suite 200  
Minneapolis, MN 55402

Project Contact: Emily Gross  
Certified Interior Designer  
612.361.5054 | [emily@msrdesign.com](mailto:emily@msrdesign.com)

Architect, PM: Byoungjin Lee  
612.359.3241 | [Byoungjin@msrdesign.com](mailto:Byoungjin@msrdesign.com)

**Interior Furnishings Specification Package**

Langley Public Library | May 10, 2024

**Interior Furnishings Specifications**

## Section 12500: Furnishings

### Part 1: General

#### Related Documents

Drawings and general provisions of contract, including General and Supplementary Conditions, apply to work of this section.

#### Scope

The extent of furnishings and accessories are shown on the drawings, defined in this specification and listed with each item herein. Types of furnishings and accessories specified in the section include, but are not limited to, the following:

- children's furniture
- computer tables
- lounge seating
- ottomans
- study seating
- study tables
- laptop tables
- meeting room tables
- meeting room chairs
- desks
- storage
- task chairs
- collection storage
- pillows

#### Submittals

**Product Data:** Manufacturer's quotes should be submitted digitally. Only submit alternates if you're not able to purchase a manufacturer. Dealer to provide cooperative purchasing number for products being quoted off all national or state contracts. If final contracts are awarded, manufacturer's recommendations for maintenance and cleaning shall be included. Transmit a copy of each instruction to the Interior Designer.

**Samples:** If awarded the contract, submit digital sample verification of any and all materials that have been specified. This includes, but is not limited to, fabric finish, wood finish (which will be used in the actual production), metal finish, polyurethane finish, solid surface finish, plastic laminate finish, linoleum finish. Samples will be reviewed for color, pattern, texture and finish only. Compliance with all other requirements is the exclusive responsibility of the Contractor. Submit to the Interior Designer for verification and approval prior to ordering.

#### Quality Assurance

**Fire Hazard Classification:** Provide fabric that meets or exceeds the California Flammability Code, Bulletin #117, and conforms to other requirements established herein. For items which, when installed become fixed, provide drawings and details of connection requirements, anchor, etc. for all provisions not included in manufacturer's standard data. Submit two (2) copies of manufacturer's written guarantee of standard warranty for items specified.

**Supplier:** The manufacturer, subsidiary or licensed agent shall be approved to supply the products specified, and to honor any claims against the product presented in accordance with the warranty.

**Installer:** The installer or agent shall be qualified to install the specified products by prior experience, demonstrated performance and acceptance of any requirement of the manufacturer or any subsidiary or licensed agent. The installer shall be responsible for an acceptable installation.

#### Delivery, Storage and Handling

Under the base bid, the Contractor shall deliver at the job site and install in its designated location all furniture and accessory items specified herein by the date designated in the Invitation to Bid. Product shall be delivered to the project site in manufacturer's original packaging.

All items shall be protected from damage during handling and deliver and during any storage that may be required by Contractor, prior to delivery.

Delivery shall be made to the job site during normal business hours, 8:00 a.m. to 4:00 p.m. CST, Monday through Friday. The Contractor shall provide adequate facilities and labor for unloading.

Inspect items upon delivery for damage. Minor damages may be repaired provided finished repairs are equal to quality of new work and acceptable to the Owner.

Install furnishings and accessories at the location indicated on the drawings in accordance with manufacturer's instructions. Items shall be installed level, plumb and where indicated, secured. Replace all damaged units as directed by Interior Designer.

Provide protection for all installed units so they will be in perfect condition at the completion of the Project.

## **Interior Furnishings Specification Package**

Langley Public Library | May 10, 2024

The Vendor shall keep the Project premises and surrounding area free from accumulation of waste materials and rubbish caused by operations under the Contract. At completion of the Work, the Vendor shall remove waste materials, rubbish, the Vendor's tools, construction equipment, machinery, and surplus material from and about the Project.

Consider blanket wrapping pieces to reduce waste and protecting building walls (including elevator walls) from damage during installation.

### **Part 2: Products**

Products specified herein are identified in terms and are accompanied by project data describing materials, construction and finishes of the specified products. To indicate particular character, quality and design of a specified item, each is listed as per a selected manufacturer and model number.

Burden of proof that proposed substitutions shall be equal in quality function and aesthetic to the specified product is on the Bidder and requires prior approval of the Interior Designer. Refer to Invitation and Instructions for Quotation for Furniture, Furnishings and Equipment for proposed substitution instructions.

### **Part 3: Execution**

Contractor or any subcontractors shall be responsible for inspection on project site and approval of installation conditions for this work.

Installation shall comply with manufacturer's specification, standards, and procedures.

Clean finished installation of dirt and finger marks. Leave work area clean and free of debris.

**END OF SECTION 12500: FURNISHING**

## Interior Furnishings Specification Package

Langley Public Library | May 10, 2024

### Textile Representative

**Manufacturer** Architex  
**Contact** Wendy Reid  
**Phone** 952-933-1332 ex.2  
**Email** [wendyreid@architex-ljh.com](mailto:wendyreid@architex-ljh.com)

**Manufacturer** Bernhardt  
**Company** Piece Resources  
**Contact** Jill Zitzer  
**Phone** 651.216.1233  
**Email** [Jill.zitzer@gmail.com](mailto:Jill.zitzer@gmail.com)

**Manufacturer** Camira  
**Contact** Jay Schrader  
**Phone** 612.889.3290  
**Email** [jay@schraderhernke.com](mailto:jay@schraderhernke.com)

**Manufacturer** Carnegie  
**Contact** Nick Nelson  
**Phone** 651.338.7392  
**Email** [nick@goodlinesdesign.com](mailto:nick@goodlinesdesign.com)

**Manufacturer** Kvadrat  
**Contact** Natalia Masiewicz  
**Phone** 773.837.0738  
**Email** [nama@kvadrat.org](mailto:nama@kvadrat.org)

## Group A: Andreu World

**Code**            **Manufacturer (Model | Model #)**

**CH-1**            **Andreu World (Alya | BU1521)**

**Description**    High Back Swivel Lounge Chair  
**Overall Size**    43.31"H x 29.53"W x 31.5"D  
**Seat Height**    16.93"SH  
**Finish**            COM A  
**Leg Finish**      378 Beech

**Quantity Location**

**2 Meeting 108**  
**1 Adult Collection 004**



**COM A**            **Primary Upholstery**  
**Manufacturer**    Kvadrat  
**Pattern**            Coda 2  
**Color**              0762  
**Size**                55"W  
**Content**            99% New Wool 10% Nylon  
**Durability**        100,000 Martindale  
**Finish**              No Finish  
**Approved**        Yes



**378**  
Beech

---

### Manufacturer's Representative

**Manufacturer**    Andreu World  
**Company**        Howard Roark Associates  
**Contact**         Victoria Steidler  
**Phone**            612.384.7424  
**Email**             Victoria@howardroarkassociates.com  
**Address**



## Interior Furnishings Specification Package

Langley Public Library | May 10, 2024

### Group A: Andreu World

Code	Manufacturer (Model   Model #)	Quantity	Location
CH-5	Andreu World (Flex   #SO1307)	2	Marketplace 109

<b>Description</b>	Arm chair with aluminum central swivel base with 5 casters and height – fully upholstered
<b>Overall Size</b>	26.25" W x 24.21" D x 28.25" H
<b>Seat Height</b>	Seat height 15.75"-19.75"
<b>Shell Finish</b>	White 6000
<b>Leg Finish</b>	Aluminum – white
<b>Caster Finish</b>	White
<b>Caster Type</b>	Casters for Carpet
<b>Upholstery</b>	COM A



<b>COM A</b>	<b>Primary Upholstery</b>
<b>Manufacturer</b>	Camira
<b>Pattern</b>	Mainline Flax
<b>Product #</b>	MLF36
<b>Color</b>	Tower
<b>Size</b>	54"W
<b>Content</b>	75% Pure New Wool, 25% Flax
<b>Finish</b>	No Finish
<b>Approved</b>	Yes

---

#### Manufacturer's Representative

<b>Manufacturer</b>	Andreu World
<b>Company</b>	Howard Roark Associates
<b>Contact</b>	Victoria Steidler
<b>Phone</b>	612.384.7424
<b>Email</b>	Victoria@howardroarkassociates.com
<b>Address</b>	

## Interior Furnishings Specification Package

Langley Public Library | May 10, 2024

### Group A: Andreu World

**Code**                      **Manufacturer (Model | Model #)**

**CH-6**                      **Andreu World (Flex | #SI1306)**

**Description**              Armless chair with aluminum central swivel base with 5 casters and height adjustment – fully upholstered

**Overall Size**              26.18" W x 24.21" D x 28.15" H

**Seat Height**              Seat height 15.75"-19.75"

**Shell Finish**              White 6000

**Leg Finish**              Aluminum – white

**Caster Finish**              White

**Caster Type**              Qty. 4 with Carpet Casters, **Qty 2** with Hard Surface Casters

**Upholstery**              COM A

**Quantity Location**

**4 Marketplace 109**

**1 Study 106**

**1 Manager 105**



**COM A**

**Manufacturer**

**Pattern**

**Product #**

**Color**

**Size**

**Content**

**Finish**

**Approved**

**Primary Upholstery**

Camira

Mainline Flax

MLF36

Tower

54"W

75% Pure New Wool, 25% Flax

No Finish

Yes

---

### Manufacturer's Representative

**Manufacturer**      Andreu World

**Company**              Howard Roark Associates

**Contact**              Victoria Steidler

**Phone**                  612.384.7424

**Email**                  Victoria@howardroarkassociates.com

**Address**

## Interior Furnishings Specification Package

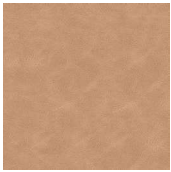
Langley Public Library | May 10, 2024

### Group B: Boss Design

Code	Manufacturer (Model   Model #)
CH-3	<b>Boss Design (Orten   ORT/2)</b>
<b>Description</b>	2-Seater Sofa
<b>Overall Size</b>	28"H x 69"W x 33"D
<b>Frame Type</b>	H Frame
<b>Frame Finish</b>	American Black Walnut
<b>Upholstery</b>	COM A

Quantity Location

1 Meeting 108



COM A	Seat Textile
<b>Manufacturer</b>	Architex
<b>Pattern</b>	English Leather
<b>Color</b>	Toasty
<b>Size</b>	54"W
<b>Content</b>	100% Polyurethane



American Black Walnut

---

#### Manufacturer's Representative

<b>Manufacturer</b>	Boss Design
<b>Company</b>	Tim Healy + Associates
<b>Contact</b>	Patrick Healy
<b>Phone</b>	612.770.4253
<b>Email</b>	phealy@timhealyandassociates

## Group B: Boss Design

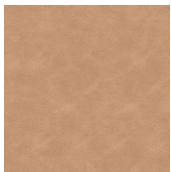
Code	Manufacturer (Model   Model #)
CH-14A	<b>Boss Design (Orten Modular   ORT/7/H RH)</b>
<b>Description</b>	Single Arm 2 Seat Sofa
<b>Overall Size</b>	28"H x 66"W x 33"D
<b>Frame Type</b>	H Frame
<b>Frame Finish</b>	American Black Walnut
<b>Upholstery</b>	COM A

### Quantity Location

1 Children's III



ORT/7/H RH, ORT/4/H, ORT/7/H LH



<b>COM A</b>	<b>Seat Textile</b>
<b>Manufacturer</b>	Architex
<b>Pattern</b>	English Leather
<b>Color</b>	Toasty
<b>Size</b>	54"W
<b>Content</b>	100% Polyurethane



American Black Walnut

---

### Manufacturer's Representative

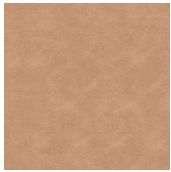
<b>Manufacturer</b>	Boss Design
<b>Company</b>	Tim Healy + Associates
<b>Contact</b>	Patrick Healy
<b>Phone</b>	612.770.4253
<b>Email</b>	phealy@timhealyandassociates

## Group B: Boss Design

Code	Manufacturer (Model   Model #)
CH-14B	<b>Boss Design (Orten Modular   ORT/7/H LH)</b>
<b>Description</b>	Single Arm 2 Seat Sofa
<b>Overall Size</b>	28"H x 66"W x 33"D
<b>Frame Type</b>	H Frame
<b>Frame Finish</b>	American Black Walnut
<b>Upholstery</b>	COM A

Quantity Location

1 Children's III



<b>COM A</b>	<b>Seat Textile</b>
<b>Manufacturer</b>	Architex
<b>Pattern</b>	English Leather
<b>Color</b>	Toasty
<b>Size</b>	54"W
<b>Content</b>	100% Polyurethane



American Black Walnut

---

### Manufacturer's Representative

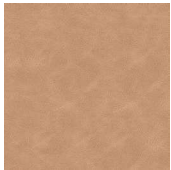
<b>Manufacturer</b>	Boss Design
<b>Company</b>	Tim Healy + Associates
<b>Contact</b>	Patrick Healy
<b>Phone</b>	612.770.4253
<b>Email</b>	phealy@timhealyandassociates

## Group B: Boss Design

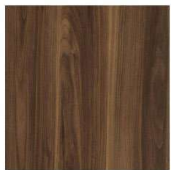
Code	Manufacturer (Model   Model #)
CH-15	<b>Boss Design (Orten Modular   ORT/4/H)</b>
<b>Description</b>	Corner Unit
<b>Overall Size</b>	28"H x 33"W x 33"D
<b>Frame Type</b>	H Frame
<b>Frame Finish</b>	American Black Walnut
<b>Upholstery</b>	COM A

### Quantity Location

1 Children's III



<b>COM A</b>	<b>Seat Textile</b>
<b>Manufacturer</b>	Architex
<b>Pattern</b>	English Leather
<b>Color</b>	Toasty
<b>Size</b>	54"W
<b>Content</b>	100% Polyurethane



American Black Walnut

---

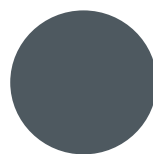
### Manufacturer's Representative

<b>Manufacturer</b>	Boss Design
<b>Company</b>	Tim Healy + Associates
<b>Contact</b>	Patrick Healy
<b>Phone</b>	612.770.4253
<b>Email</b>	phealy@timhealyandassociates

## Group C: Watson

Code	Manufacturer (Model   Model #)	Quantity	Location
T-3	<b>Watson (Haven Laptop Table   FLTS25)</b>	1	Market Place 109
		2	Meeting Room 108
		2	Adult Collection 004
		1	Staff Breakroom 003
	<b>Description</b>		
	<b>Overall Size</b>		
	<b>Top Finish</b>		
	<b>Base Finish</b>		

Steel Laptop Table  
12"D x 22"W x 25"H  
Blue Steel  
Blue Steel



---

### Manufacturer's Representative

**Manufacturer** Watson  
**Company** Goodlines  
**Contact** Nick Nelson  
**Phone** 651.388.7392  
**Email** nick@goodlinesdesign.com

## Interior Furnishings Specification Package

Langley Public Library | May 10, 2024

### Group C: Watson

Code	Manufacturer (Model   Model #)	Quantity	Location
T-4A	<b>Watson (Essential Desk Rectangle   EL2RD3060 - PZ)</b> Description Height Adjustable Desk Overall Size 30"W x 60"L Base PZ - Standard Height Range (27 - 46.5) Top Finish Forbo - Pebble Base Finish Frosty White Switch Embedded Two Button Power + Tech Utility Power Edge Profile 90 Clear Options 1. Centered Grommet 2. Personal Pendant Drawer - White	4	Staff Workroom 102 1 Managers Office 105



---

#### Manufacturer's Representative

**Manufacturer** Watson  
**Company** Goodlines  
**Contact** Nick Nelson  
**Phone** 651.388.7392  
**Email** nick@goodlinesdesign.com



## Group C: Watson

Code	Manufacturer (Model   Model #)	Quantity	Location
T-4B	<b>Watson (Essential Desk Rectangle   EL2RD3060 - PZ)</b> Description Height Adjustable Desk Overall Size 30"W x 60"L Base PZ - Standard Height Range (27 - 46.5) Top Finish Forbo - Pebble Base Finish Frosty White Modesty Panel PET Light Switch Embedded Two Button Power + Tech Utility Power Edge Profile 90 Clear 1. Centered Grommet 2. Personal Pendant Drawer - White	2	Information Desk 101



---

### Manufacturer's Representative

**Manufacturer** Watson  
**Company** Goodlines  
**Contact** Nick Nelson  
**Phone** 651.388.7392  
**Email** nick@goodlinesdesign.com

## Interior Furnishings Specification Package

Langley Public Library | May 10, 2024

### Group C: Watson

Code	Manufacturer (Model   Model #)	Quantity	Location
T-5A	<b>Watson (C9 Meeting Table, Rectangle   C9RM2455)</b> Description Fixed height meeting table Overall Size 24"D x 65"L x 29.5"H Top Finish Forbo - Pebble Base Finish Frosty White Components (1) Grommet (1) Cable channel at leg Power (1) WPANIPID - Byrne Node Drop-in power unit. 1 PWR, 1 Dual USB Edge Profile 90 Clear	2	Market Place 109



---

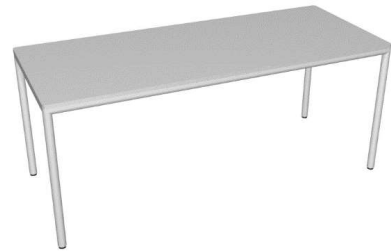
#### Manufacturer's Representative

**Manufacturer** Watson  
**Company** Goodlines  
**Contact** Nick Nelson  
**Phone** 651.388.7392  
**Email** nick@goodlinesdesign.com

## Group C: Watson

Code	Manufacturer (Model   Model #)	Quantity	Location
T-5B	Watson (C9 Height Adjustable Desk   C9R4D2442)	2	Marketplace 109

<b>Description</b>	Height Adjustable Desk
<b>Overall Size</b>	24" D x 42" L x 27"-43"H
<b>Top Finish</b>	Forbo – Pebble
<b>Base Finish</b>	Frosty White
<b>Power</b>	WPANIP1D – Byrne Node Drop-in power unit. 1 PWR, 1 Dual USB
<b>Edge Profile</b>	90 Clear



---

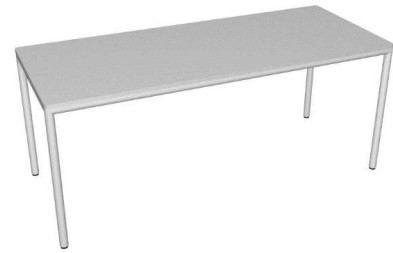
### Manufacturer's Representative

<b>Manufacturer</b>	Watson
<b>Company</b>	Goodlines
<b>Contact</b>	Nick Nelson
<b>Phone</b>	651.388.7392
<b>Email</b>	<a href="mailto:nick@goodlinesdesign.com">nick@goodlinesdesign.com</a>

## Group C: Watson

Code	Manufacturer (Model   Model #)	Quantity	Location
T-6	Watson (C9 Height Adjustable Desk   C9R4D2448)	1	Study 106

<b>Description</b>	Height Adjustable Desk
<b>Overall Size</b>	24" D x 48" L x 27"-43"H
<b>Top Finish</b>	Forbo – Pebble
<b>Base Finish</b>	Frosty White
<b>Power</b>	WPANIP1D – Byrne Node Drop-in power unit. 1 PWR, 1 Dual USB
<b>Edge Profile</b>	90 Clear



---

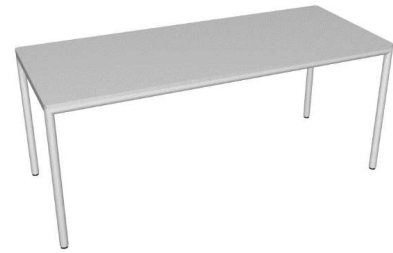
### Manufacturer's Representative

<b>Manufacturer</b>	Watson
<b>Company</b>	Goodlines
<b>Contact</b>	Nick Nelson
<b>Phone</b>	651.388.7392
<b>Email</b>	<a href="mailto:nick@goodlinesdesign.com">nick@goodlinesdesign.com</a>

## Group C: Watson

Code	Manufacturer (Model   Model #)	Quantity Location
T-7	Watson (C9 Height Adjustable Desk   C9R4D2460)	1 Focus 103

<b>Description</b>	Height Adjustable Desk
<b>Overall Size</b>	24" D x 60" L x 27"-43"H
<b>Top Finish</b>	Forbo – Pebble
<b>Base Finish</b>	Frosty White
<b>Power</b>	WPANIP1D – Byrne Node Drop-in power unit. 1 PWR, 1 Dual USB
<b>Edge Profile</b>	90 Clear



---

### Manufacturer's Representative

<b>Manufacturer</b>	Watson
<b>Company</b>	Goodlines
<b>Contact</b>	Nick Nelson
<b>Phone</b>	651.388.7392
<b>Email</b>	nick@goodlinesdesign.com

## Group C: Watson

Code	Manufacturer (Model   Model #)	Quantity	Location
T-8	<b>Watson (Seven Meeting Table   STSQR2424-29)</b> Description Square Meeting Table  Overall Size 24"D x 24"W x 29.5"H Top Finish Forbo - Pebble Base Finish Powdercoat, Frosty White Edge Type 90 Clear	1	Staff Breakroom 003



---

### Manufacturer's Representative

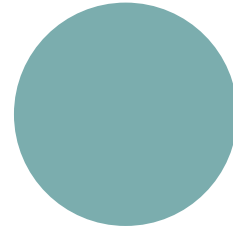
**Manufacturer** Watson  
**Company** Goodlines  
**Contact** Nick Nelson  
**Phone** 651.388.7392  
**Email** [nick@goodlinesdesign.com](mailto:nick@goodlinesdesign.com)

## Group C: Watson

Code	Manufacturer (Model   Model #)
T-10	<b>Watson (Tonic Simple Table   TWTRO4822)</b>
Description	Children's Height Table
Overall Size	36" DIA
Height	22" Tall (custom kids height)
Base Finish	Aqua
Top Finish	White Markerboard
Edge Profile	90 Clear

### Quantity Location

1 Children's Room 111



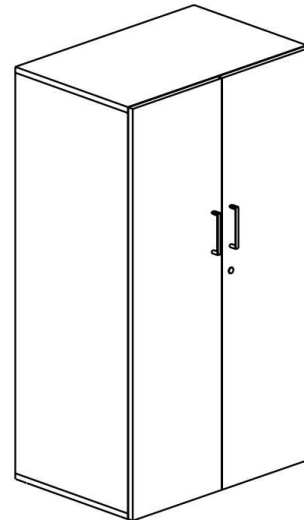
---

### Manufacturer's Representative

**Manufacturer** Watson  
**Company** Goodlines  
**Contact** Nick Nelson  
**Phone** 651.388.7392  
**Email** nick@goodlinesdesign.com

## Group C: Watson

Code	Manufacturer (Model   Model #)	Quantity	Location
S-4	<b>Watson (Zo Sto Door   ZSBKD153678)</b> Description Locking storage Overall Size 15"D x 36"W x 78"H Finish Frosty White Lock Factory Installed Lock Core Pull Alto Silver Note Adjustable shelving	4	Study Room 005



---

### Manufacturer's Representative

**Manufacturer** Watson  
**Company** Goodlines  
**Contact** Nick Nelson  
**Phone** 651.388.7392  
**Email** nick@goodlinesdesign.com



## Group C: Watson

Code	Manufacturer (Model   Model #)
S-5	<b>Watson (Zo Denza   ZSCRXC204520)</b>
Description	Credenza locking doors with open center
Overall Size	20"D x 45"W x 26"H
Finish	Frosty White
Lock	Factory Installed Lock Core
Pull	Alto
Base	Zo Base

### Quantity Location

1 Managers office 108



---

### Manufacturer's Representative

**Manufacturer** Watson  
**Company** Goodlines  
**Contact** Nick Nelson  
**Phone** 651.388.7392  
**Email** nick@goodlinesdesign.com

## Group C: Watson

Code	Manufacturer (Model   Model #)	Quantity	Location
S-6	<b>Watson (Zo Ped   ZSPEPBF241526M)</b> Description Mobile Pedestal File with Pencil Box Overall Size 24"D x 15"W x 26"H Finish Frosty White Lock Factory Installed Lock Core Pull Alto Casters Yes	2 1 4	Circulation Desk 107 Managers office 108 Staff Room 109



---

### Manufacturer's Representative

**Manufacturer** Watson  
**Company** Goodlines  
**Contact** Nick Nelson  
**Phone** 651.388.7392  
**Email** nick@goodlinesdesign.com

## Interior Furnishings Specification Package

Langley Public Library | May 10, 2024

### Group D: Davis

Code	Manufacturer (Model   Model #)	
T-1	<b>Davis (A-Table   AT-6030)</b>	
	<b>Description</b>	Folding leg table
	<b>Overall Size</b>	60"L x 30"W x 29"H
	<b>Top Finish</b>	Oak13 Harvest Oak
	<b>Edge Finish</b>	Oak13 Harvest Oak
	<b>Base Finish</b>	Polished Aluminum
	<b>Edge Detail</b>	Square edge

### Quantity Location

2 Meeting 108



---

### Manufacturer's Representative

**Manufacturer** Davis  
**Company** Dittyrehkamp  
**Contact** Taylor Hoesley  
**Phone**  
**Email** [thoesley@dittyrehkamp.com](mailto:thoesley@dittyrehkamp.com)

## Interior Furnishings Specification Package

Langley Public Library | May 10, 2024

### Group D: Davis

Code	Manufacturer (Model   Model #)	Quantity	Location
T-2	<b>Davis (PLC Table   PLC-30-OA)</b>	2	Market Place 109
	<b>Description</b>		1 Study Room 005
	<b>Overall Size</b>		
	<b>Top Finish</b>		
	<b>Base Finish</b>		

Fixed height walnut base square top table

35.5"D x 35.5"W x 28.75"H

Solid Surface- Corian White

Oak13 Harvest Oak



---

### Manufacturer's Representative

**Manufacturer** Davis  
**Company** Dittyrehkamp  
**Contact** Taylor Hoesley  
**Phone**  
**Email** [thoesley@dittyrehkamp.com](mailto:thoesley@dittyrehkamp.com)

## Interior Furnishings Specification Package

Langley Public Library | May 10, 2024

### Group D: Davis

**Code**                      **Manufacturer (Model | Model #)**

**CH-4**                      **Davis (PLC Chair | PLC-15-OA)**

**Description**            Wood chair with upholstered seat  
**Overall Size**            W 19.25 D 21.5H 29  
**Seat Height**            17.75" H  
**Upholstery**              COM A  
**Finish**                    Oak13 Harvest Oak

**Quantity Location**

**2 Market Place 109**  
**8 Meeting 108**  
**3 Study Room 005**



**COM A**                      **Primary Upholstery**  
**Manufacturer**            Kvadrat  
**Pattern**                    Steelcut Quartet  
**Color**                      1054  
**Durability**                100,000 Martindale  
**Size**                        55" W  
**Content**                    90% New Wool, worsted, 10% Nylon  
**Finish**                      None  
**Approved**                Yes



---

### Manufacturer's Representative

**Manufacturer**    Hightower  
**Company**            Goodlines  
**Contact**            Nick Nelson  
**Phone**                651.388.7392  
**Email**                nick@goodlinesdesign.com

## Interior Furnishings Specification Package

Langley Public Library | May 10, 2024

### Group E: 9 to 5 Seating

Code	Manufacturer (Model   Model #)	Quantity	Location
CH-7	<b>9 to 5 Seating (Theory   2170-Y1-A37-M11-BA11B-C7-SS)</b>		
	<b>Description</b> Mid Back All Mesh Task Chair	<b>2</b>	<b>Information</b>
	<b>Overall Size</b> 26.5"W X 25"D X 37.5-45"H	<b>4</b>	<b>Staff Workroom 102</b>
	<b>Seat Height</b> 16.5"-21.5" H	<b>1</b>	<b>Focus 103</b>
	<b>Control</b> Y1 – Simple Synchro		
	<b>Arm Style</b> A37 – Height/Width Adjustable Pivot/Slid Arm		
	<b>Base Finish</b> BA11B-26" H Profile Nylon Base, Black		
	<b>Seat + Back</b> M1 Mesh		
	<b>Mesh Color</b> M11 Black		
	<b>Casters</b> C7 Chrome Accented Hard Surface		
	<b>Arm pad</b> Casters		
	<b>Options</b> SS- Seat Slider		



---

#### Manufacturer's Representative

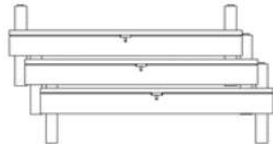
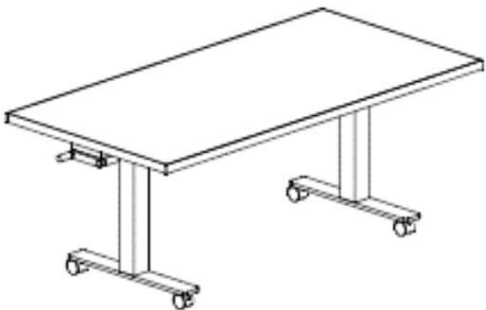
**Manufacturer** 9 to 5 Seating  
**Company** CFS Reps  
**Contact** Nathan Surprenant  
**Phone** 612.636.7472  
**Email** nsurprenant@cfsreps.com

**Interior Furnishings Specification Package**

Langley Public Library | May 10, 2024

**Group F: 3Branch**

Code	Manufacturer (Model   Model #)	Quantity Location
T-9A	<b>3Branch (Maker Flex Kids   MFC-6030-NEST-ADJT-LAM-CAS )</b> Description Kids Height - Adjustable Nesting Flip top table on casters Overall Size 30" x 60" x 24"-34" Height range Top Finish Wilsonart - Designer White Writable Surface Base Finish White Edge Type Square Edge Finish White Edge Band Casters Locking - For Carpet Surfaces	1 Storage 114



24" deep storage depth = 18" + (# tables - 1) x 7.25"  
 30" deep storage depth = 22" + (# tables - 1) x 7.25"  
 36" deep storage depth = 26" + (# tables - 1) x 7.25"

**Interior Furnishings Specification Package**

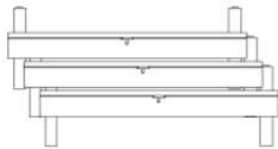
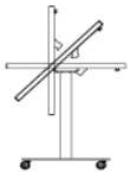
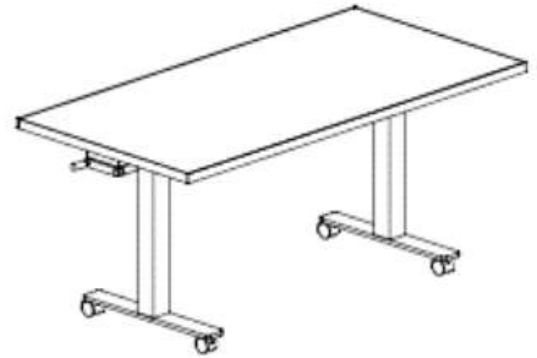
Langley Public Library | May 10, 2024

**Group F: 3Branch**

<b>Code</b>	<b>Manufacturer (Model   Model #)</b>
<b>T-9B</b>	<b>3Branch (Maker Flex Table   MF-6030-NEST-ADJT-LAM-CAS )</b>
<b>Description</b>	Adjustable Nesting Flip top table on casters
<b>Overall Size</b>	30" x 60" x 27"-41" Height range
<b>Top Finish</b>	Wilsonart - Designer White Writable Surface
<b>Base Finish</b>	White
<b>Edge Type</b>	Square
<b>Edge Finish</b>	White Edge Band
<b>Casters</b>	Locking - For Carpet Surfaces

**Quantity Location**

**1 Storage 114**



24" deep storage depth = 18" + (# tables - 1) x 7.25"  
 30" deep storage depth = 22" + (# tables - 1) x 7.25"  
 36" deep storage depth = 26" + (# tables - 1) x 7.25"

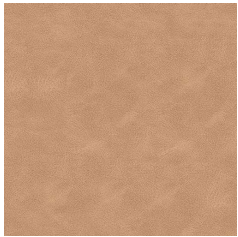


## Group G: Kimball International

Code	Manufacturer (Model   Model #)	Quantity	Location
CH-2	<b>Kimball (Hobsen Lounge Chair   N58GMA)</b> Description Lounge Chair  Overall Size W 33.5 D 31 H 34 Seat Height 16.5" H Upholstery Contrasting Extreme Back Upholstery COM A Upholstery COM B Frame Finish Walnut, Clear Finish	2	Meeting 108 Adult Collection 004 Marketplace 109



<b>COM A</b>	<b>Back Upholstery</b>
Manufacturer	Carnegie
Pattern	Paramour
Product #	6176
Color	8
Size	55" W
Content	100% Post Consumer Recycled Polyester
Durability	100,000 Double Rubs
Finish	Finish-Free
Approved	Yes



<b>COM B</b>	<b>Front Upholstery + Seat</b>
Manufacturer	Architex
Pattern	English Leather
Color	Toasty
Size	54"W
Content	100% Polyurethane
Durability	100,000 Double Rubs
Finish	Finish-Free
Approved	Yes

---

### Manufacturer's Representative

Manufacturer	Kimball International
Company	Turner Hospitality
Contact	Westin Hammerstrom
Phone	612.817.5949
Email	<a href="mailto:Westin@turnerhospitality.com">Westin@turnerhospitality.com</a>

## Group G: Kimball International

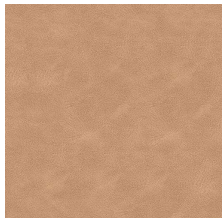
**Code**            **Manufacturer (Model | Model #)**

**CH-11**           **Kimball (Hobsen Ottoman | N58D1)**

**Description**     Ottoman  
**Overall Size**     W 21.5 D 31 H 34  
**Upholstery**       COM A  
**Frame**             Walnut

**Quantity Location**

**1 Adult Collection 004**



**COM A**            **Textile**

**Manufacturer**    Architex  
**Pattern**            English Leather  
**Color**              Toasty  
**Size**                54"W  
**Content**            100% Polyurethane

---

### Manufacturer's Representative

**Manufacturer**    Kimball International  
**Company**         Turner Hospitality  
**Contact**          Westin Hammerstrom  
**Phone**            612.817.5949  
**Email**             [Westin@turnerhospitality.com](mailto:Westin@turnerhospitality.com)

## Interior Furnishings Specification Package

Langley Public Library | May 10, 2024

### Group G: Kimball International

Code	Manufacturer (Model   Model #)	Quantity	Location
	<b>Kimball (Poly Mesh Stacking Chair   K95M-BK-PQ25-99)</b>	<b>32</b>	<b>Meeting 108</b>
<b>CH-13</b>	<b>Description</b> High Density Stack Chair, Mesh Back + Mesh Seat with Sled Base <b>Overall Size</b> 20"D x 32"H x 24.125"W <b>Seat Height</b> 18" SH <b>Mesh Finish</b> BK – Black Tie <b>Base Finish</b> CH-Chrome <b>Glides</b> Black Plastic <b>Storage</b> (1) Transport Dolly Model: K95TD 13-3/8"H x 22-5/8"W x 32"D Max stacking height 35 high		



---

#### Manufacturer's Representative

**Manufacturer** Kimball International  
**Company** Turner Hospitality  
**Contact** Westin Hammerstrom  
**Phone** 612.817.5949  
**Email** [Westin@turnerhospitality.com](mailto:Westin@turnerhospitality.com)

Interior Furnishings Specification Package

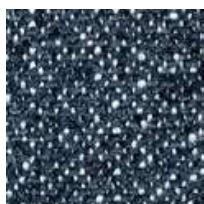
Langley Public Library | May 10, 2024

**Group H: Hightower**

Code	Manufacturer (Model   Model #)
CH-8	<b>Hightower (Gimbal Lounge Chair Highback – Swivel Base   HTGM010)</b>
Description	Highback Swivel Lounge Chair
Overall Size	37"W x 38.3"D x 48"H
Seat Height	17.8" H
Upholstery	COM A

**Quantity Location**

1 Market Place 109



COM A	Primary Upholstery
Manufacturer	Carnegie
Pattern	Fizzy
Product #	6264
Color	7
Grade	10
Size	55" W
Content	100% Polyester
Finish	No Finish
Durability	100,000 double rubs
Approved	Yes



---

**Manufacturer's Representative**

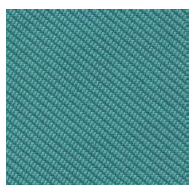
Manufacturer	Hightower
Company	Goodlines
Contact	Nick Nelson
Phone	651.388.7392
Email	<a href="mailto:nick@goodlinesdesign.com">nick@goodlinesdesign.com</a>

## Interior Furnishings Specification Package

Langley Public Library | May 10, 2024

### Group H: Hightower

Code	Manufacturer (Model   Model #)	Quantity Location
P-1	<b>Hightower (Studio Pillows   HTHPPL020)</b> Description Throw Pillows Overall Size W 20 D 7.5 H 20 Finish COM A	2 Children's Room 111



<b>COM A</b>	<b>Primary Upholstery</b>
<b>Manufacturer</b>	Camira
<b>Pattern</b>	Oceanic
<b>Product #</b>	JETSAM
<b>Color</b>	OOC02
<b>Size</b>	54"W
<b>Content</b>	100% Post Consumer Recycled Polyester including 50% SEAQUAL yarn
<b>Finish</b>	No Finish
<b>Durability</b>	100,000+ Double Rubs

---

#### Manufacturer's Representative

<b>Manufacturer</b>	Hightower
<b>Company</b>	Goodlines
<b>Contact</b>	Nick Nelson
<b>Phone</b>	651.388.7392
<b>Email</b>	nick@goodlinesdesign.com

## Interior Furnishings Specification Package

Langley Public Library | May 10, 2024

### Group H: Hightower

Code	Manufacturer (Model   Model #)	Quantity Location
P-2	<b>Hightower (Studio Pillows   HTHPPL020)</b> Description Throw Pillows Overall Size W 20 D 7.5 H 20 Finish COM A	2 Meeting 108



<b>COM A</b>	<b>Primary Upholstery</b>
Manufacturer	Carnegie
Pattern	Dance Floor
Product #	6262
Color	5
Size	56"W
Content	100% Post Consumer Recycled Polyester
Finish	No Finish
Durability	100,000+ Double Rubs

---

#### Manufacturer's Representative

Manufacturer	Hightower
Company	Goodlines
Contact	Nick Nelson
Phone	651.388.7392
Email	<a href="mailto:nick@goodlinesdesign.com">nick@goodlinesdesign.com</a>

## Interior Furnishings Specification Package

Langley Public Library | May 10, 2024

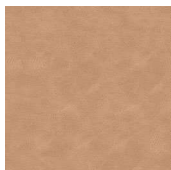
### Group I : OFS

**Code**                      **Manufacturer (Model | Model #)**

**CH-9**                      **OFS (Heya Retreat | 82-8353RT)**  
**Description**            Privacy Lounge Furniture  
**Overall Size**            83.25"w x 34.5"d x 53"h  
**Seat Dim**                20"w x 24"d x 19.25"h  
**Table Height**           29"H  
**Leg Finish**              Root MNW  
**Table Finish**            Root MNW  
**Frame Finish**            Bone White BWT  
**Table Power**            PS-62W  
**Seat Textile**             COM A  
**Surround Textile**      COM B

**Quantity Location**

**1 Marketplace 109**



**COM A**                      **Seat Textile**  
**Manufacturer**            Architex  
**Pattern**                    English Leather  
**Color**                      Toasty  
**Size**                        54"W  
**Content**                    100% Polyurethane



**COM B**                      **Surround Textile**  
**Manufacturer**            Camira  
**Pattern**                    Blazer  
**Color**                      Silverdale CUZ28  
**Size**                        54"W  
**Content**                    100% Pure New Wool

---

### Manufacturer's Representative

**Manufacturer**    OFS  
**Company**            True North CF  
**Contact**            Ben Wagner  
**Phone**                612.384.6063  
**Email**                [ben@trunorthcf.com](mailto:ben@trunorthcf.com)

## Group I : OFS

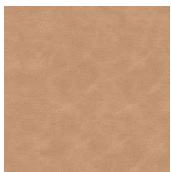
**Code**                      **Manufacturer (Model | Model #)**

**CH-16**                      **OFS (Boost QS | Q-F49058)**

**Description**              Ottoman  
**Overall Size**              20.75" DIA  
**Seat Dim**                      17.75" H  
**Glides**                      QZ - concealed  
**Seat Textile**                COM A

**Quantity Location**

**1 Staff Breakroom 003**



**COM A**                      **Textile**  
**Manufacturer**              Architex  
**Pattern**                      English Leather  
**Color**                      Toasty  
**Size**                      54"W  
**Content**                      100% Polyurethane



---

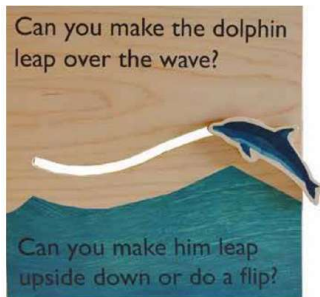
### Manufacturer's Representative

**Manufacturer**              OFS  
**Company**                      True North CF  
**Contact**                      Ben Wagner  
**Phone**                      612.384.6063  
**Email**                      [ben@trunorthcf.com](mailto:ben@trunorthcf.com)

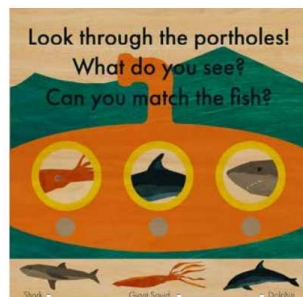


## Group J: TMC

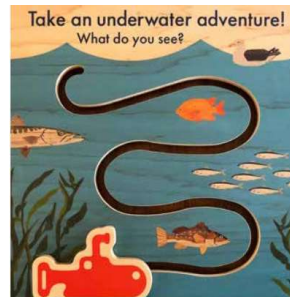
Code	Manufacturer (Model   Model #)	Quantity	Location
P-3	TMC (Learning Panels   W13799180)	1	Children's Area 106
	<b>Description</b>	Learning Panels	
	<b>Overall Size</b>	16" x 16"	
	<b>Finish</b>	Baltic Birch with Printed Graphics and Accessories	
	<b>Note</b>	Include Learning Panel Clips	
	<b>Panel Types</b>		
	APC1616-DD01	Dolphin Dip	A
	APC1616-SP01	Submarine Portholes	B
	APC1616-SA01	Submarine Adventures	C
	APC1616-CT01	Counting 1 - 4	D



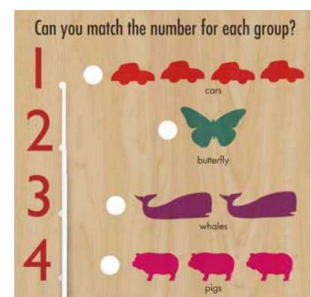
A



B



C



D

### P-4 TMC (Mounting Panels for the Learning Panels | N/A)

<b>Description</b>	Continuous Mounting Panel for 4 Learning Panels
<b>Overall Size</b>	9'-10 7/8" x 1'-6 1/8"
<b>Finish</b>	Painted to Match Sherwin Williams SW6224 Mountain Air

### Manufacturer's Representative

<b>Manufacturer</b>	TMC
<b>Company</b>	Piece Resources
<b>Contact</b>	Jill Zitzer
<b>Phone</b>	651.216.1233
<b>Email</b>	Jill.zitzer@gmail.com

## Group J: TMC

Code	Manufacturer (Model   Model #)
S-6	TMC (Linear Double Faced   MBLC30322625)
Description	Linear Book Bins
Overall Size	30" W x 32.75" D x 26" TH/OH
Finish	Milk
Cutout	N/A
Casters	3" DIA locking casters

### Quantity Location

3 Children's Area 206



Milk

---

### Manufacturer's Representative

Manufacturer	TMC
Company	Piece Resources
Contact	Jill Zitzer
Phone	651.216.1233
Email	Jill.zitzer@gmail.com

## Interior Furnishings Specification Package

Langley Public Library | May 10, 2024

### Group K: Keilhauer

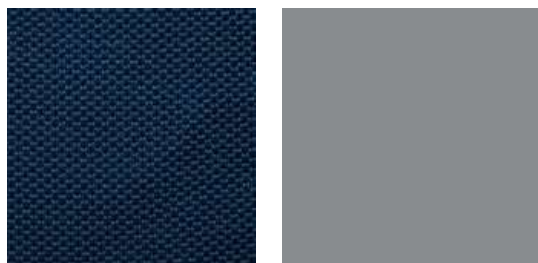
**Code**            **Manufacturer (Model | Model #)**

**CH-10**           **Keilhauer (Doko | #67012)**

**Quantity** **Location**

**2** **Marketplace 109**

**Description**    Round active perch, plastic base  
**Overall Size**    16" W x 16" D x 19.25 H  
**Base Finish**     Plastic base - 74 Storm  
**Mesh Finish**    DM012 Blue Jay



---


#### Manufacturer's Representative

**Manufacturer**    Keilhauer  
**Contact**        Sharon Dvorak  
**Group**            Primary Design Resource  
**Phone**            612.859.4486  
**Email**            sdvorak@pdresource.com

## Interior Furnishings Specification Package

Langley Public Library | May 10, 2024

### Group L: Leland

Code	Manufacturer (Model   Model #)	Quantity	Location
CH-12_	<b>Leland (Handy   # ___-_-____-__)</b> Description Handy polypropylene stool Overall Size Varies - See below Finish WT White		Children's Area 111
CH-12A	<b>Leland (Handy   #HFC-P-SH14-WT)</b> Overall Size 14" H x 15.25"W x 14" D	2	
CH-12B	<b>Leland (Handy   #HFC-P-SH16-WT)</b> Overall Size 16" H x 15.5" W x 14.25" D	1	
CH-12C	<b>Leland (Handy   #HYS-SH18-WT)</b> Overall Size 18" H x 16"W x 14.5" D	1	

---

#### Manufacturer's Representative

**Manufacturer** Leland  
**Contact** Sharon Dvorak  
**Group** Primary Design Resource  
**Phone** 612.859.4486  
**Email** sdvorak@pdresource.com

## Interior Furnishings Specification Package

Langley Public Library | May 10, 2024

### Group M: DWR

**Code**            **Manufacturer (Model | Model #)**

**Quantity**   **Location**

T-11            DWR (Eames Walnut Stool | 104470)

1 Meeting 108

**Description**    Side table  
**Overall Size**    14.96"H x 13.39"W x 13.78"D  
**Finish**            Walnut  
**Shape**            C



---

### Manufacturer's Representative

**Manufacturer**    MillerKnoll  
**Company**        DWR  
**Contact**         Matt Grynol  
**Phone**            612.518.1515  
**Email**             matt\_grynol@millerknoll.com

## Group M: DWR

Code	Manufacturer (Model   Model #)	Quantity	Location
T-12	DWR (Hew Side Table  Style D)	1	Meeting 108

Description	Side table
Overall Size	18"H x 14.25"W x 12.5"D
Finish	Walnut
Shape	D



---

### Manufacturer's Representative

Manufacturer	MillerKnoll
Company	DWR
Contact	Matt Grynol
Phone	612.518.1515
Email	matt_grynol@millerknoll.com

## Interior Furnishings Specification Package

Langley Public Library | May 10, 2024

### Group M: DWR

**Code**            **Manufacturer (Model | Model #)**

**T-13**            **DWR (Hew Side Table| Style C)**

**Description**    Side table  
**Overall Size**    16.5"H x 14"W x 12.5"D  
**Finish**            Walnut  
**Shape**            C

**Quantity Location**

**1 Meeting 108**



---

### Manufacturer's Representative

**Manufacturer**    MillerKnoll  
**Company**        DWR  
**Contact**        Matt Grynol  
**Phone**            612.518.1515  
**Email**            matt\_grynol@millerknoll.com

## Group M: DWR

Code	Manufacturer (Model   Model #)
L-1	DWR (Artemide   Tolomeo Floor Lamp)

Description	Floor Lamp
Overall Size	Mega 14"
Color	Parchment
Base	Aluminum

Quantity Location

1 Meeting 108



---

### Manufacturer's Representative

Manufacturer	MillerKnoll
Company	DWR
Contact	Matt Grynol
Phone	612.518.1515
Email	matt_grynol@millerknoll.com



## Group M: DWR

Code	Manufacturer (Model   Model #)	Quantity Location
P-5	DWR (Story Planter   5 Piece)	1 Meeting 108

Description	5 Piece Planter
Overall Size	37½" H 15¾" W 15¾" D
Color	White
Note	Include Story Planter Strainer Set (5 Piece) ¾" H 5¾" DIA



---

### Manufacturer's Representative

Manufacturer	MillerKnoll
Company	DWR
Contact	Matt Grynol
Phone	612.518.1515
Email	matt_grynol@millerknoll.com

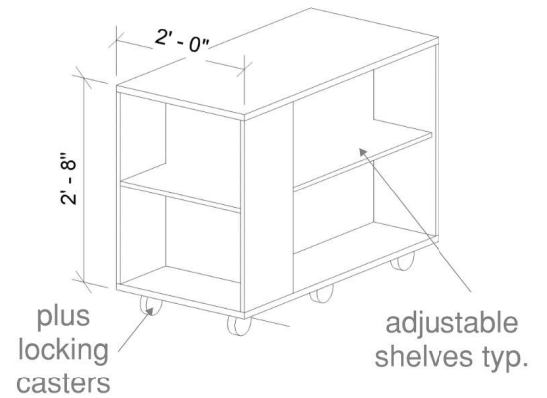
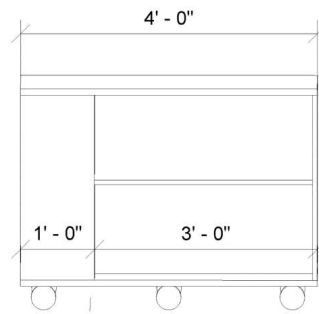
## Group N: Kingsley

Code	Manufacturer (Model   Model #)	Quantity	Location
S-9	<b>Kingsley (44 Duralight Undercounter   30-9044)</b> Description Book Return Cart Overall Size 28-5/8"D x 25 7/16"W x 25.5"H Color Black	1	Information 101
		2	Staff Workroom



## Group O: Mein Company

Code	Manufacturer (Model   Model #)	Quantity	Location
S-1	<b>Mein Company (KIO CUSTOM - 286)</b> Description Double Sided Display Storage with End Display Overall Size 4' L x 2' D x 3' H Casters Locking Casters Finish Wilsonart Field Elm 7999K-12 Soft Grain Finish	4	Marketplace 109



---

### Manufacturer's Representative

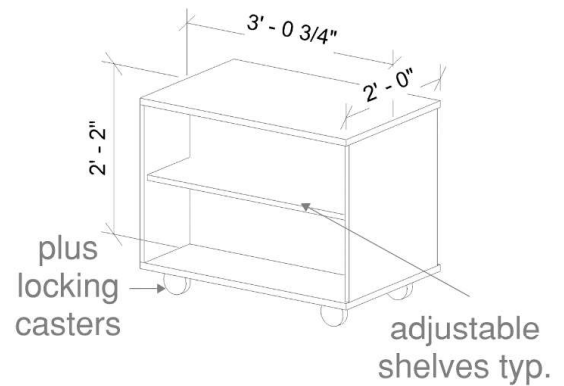
**Manufacturer** Mien Company  
**Contact** Jamie Chiquonie  
**Phone** 651.788.1717  
**Email** jchiquoine@miencompany.com

## Group O: Mein Company

Code	Manufacturer (Model   Model #)
S-2	<b>Mein Company (KIO CUSTOM - 285)</b>
<b>Description</b>	Double Sided Display Storage
<b>Overall Size</b>	3' L x 2' D x 2'-6" H
<b>Casters</b>	Locking Casters
<b>Finish</b>	Wilsonart Field Elm 7999K-12 Soft Grain Finish

### Quantity Location

1 Adult Collection 004



---

### Manufacturer's Representative

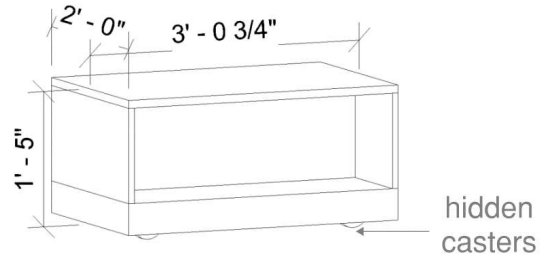
<b>Manufacturer</b>	Mien Company
<b>Contact</b>	Jamie Chiquonie
<b>Phone</b>	651.788.1717
<b>Email</b>	jchiquoine@miencompany.com

## Group O: Mein Company

Code	Manufacturer (Model   Model #)
S-3	<b>Mein Company (KIO CUSTOM - 284)</b>
<b>Description</b>	Double Sided Display Storage
<b>Overall Size</b>	3' L x 2' D x 1'-6" H
<b>Casters</b>	Locking Casters
<b>Finish</b>	Wilsonart Field Elm 7999K-12 Soft Grain Finish

Quantity Location

1 Meeting 108



---

### Manufacturer's Representative

**Manufacturer** Mien Company  
**Contact** Jamie Chiquonie  
**Phone** 651.788.1717  
**Email** jchiquoine@miencompany.com

## Interior Furnishings Specification Package

Langley Public Library | May 10, 2024

### Group P: Bernhardt

**Code**                      **Manufacturer (Model | Model #)**

**CH-16**                      **Bernhardt (Mitt | 5720)**

**Description**              Mobile Chair fully upholstered with  
Standard stich with handle

**Overall Size**              33.5"W x 33.5"D x 32"H

**Seat Height**              16.5"SH

**Finish**                      COM A TBD

**Handle Finish**            COM B TBD

**Welt Stitch**              TO MATCH COM B

**Quantity**                  **Location**

**1**                              **Children's Room 111**



**COM A**                      **Primary Upholstery**

**Manufacturer**            Camira

**Pattern**                    Main Line Flax

**Product #**                MLF22

**Color**                     Westminster

**Size**                        54"W

**Content**                  75% Pure New Wool, 25% Flax

**Finish**                    No Finish



**COM B**                      **Leather Handle + Stitch TBD**

**Manufacturer**            Architex

**Pattern**                    English Leather

**Color**                     Toasty

**Content**                  100% Polyurethane



---

### Manufacturer's Representative

**Manufacturer**            Bernhardt

**Company**                Piece Resources

**Contact**                Jill Zitzer

**Phone**                  651.216.1233

**Email**                    Jill.zitzer@gmail.com

## Interior Furnishings Specification Package

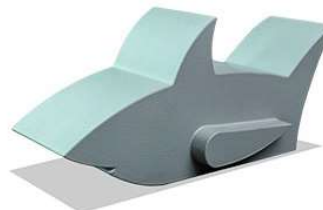
Langley Public Library | May 10, 2024

### Group Q: SIXINCH

Code	Manufacturer (Model   Model #)
CH-19	Sixinch USA (Shark   Pouf)
Description	Children's Shark ottoman
Overall Size	W 14.0 x D 34.5 x H 17.0
Seat Height	15" H
Upholstery	Flex Plus – Robins Egg
Base Finish	Wood base with glides

#### Quantity Location

1 Children's Area III



Robins Egg

---

#### Manufacturer's Representative

**Manufacturer** Sixinch  
**Contact** Christine Alberg  
**Phone** 612.308.5991  
**Email** christine@alberg.co

### Group R: ESI

Code	Manufacturer (Model   Model #)
ACC-1	ESI (Flex Charge 4C   FCH4C-WHT)

Description	Table Top Power
Product	Flex Charge 4C
Color	White
Plug types	2 outlets 1 USB-A 1 USB-C

Quantity Location

5 T-1 and T-2 Tables

